

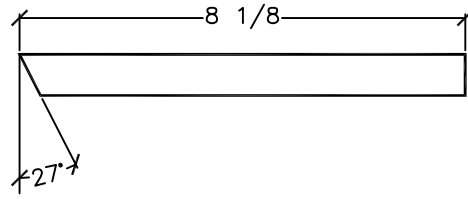
⑥

ROOF (not shown)

5/8 EXTERIOR PLYWOOD 9-5/8 X 14

③ CEILING

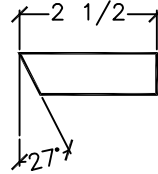
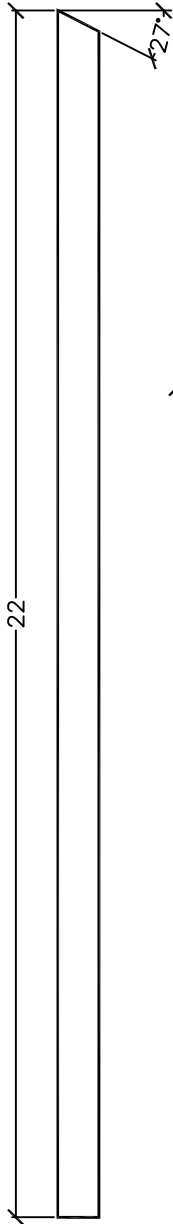
3/4 x 4-1/4 x 8-1/8



①

BACK

3/4 or 1" thick x 4-1/4 x 22



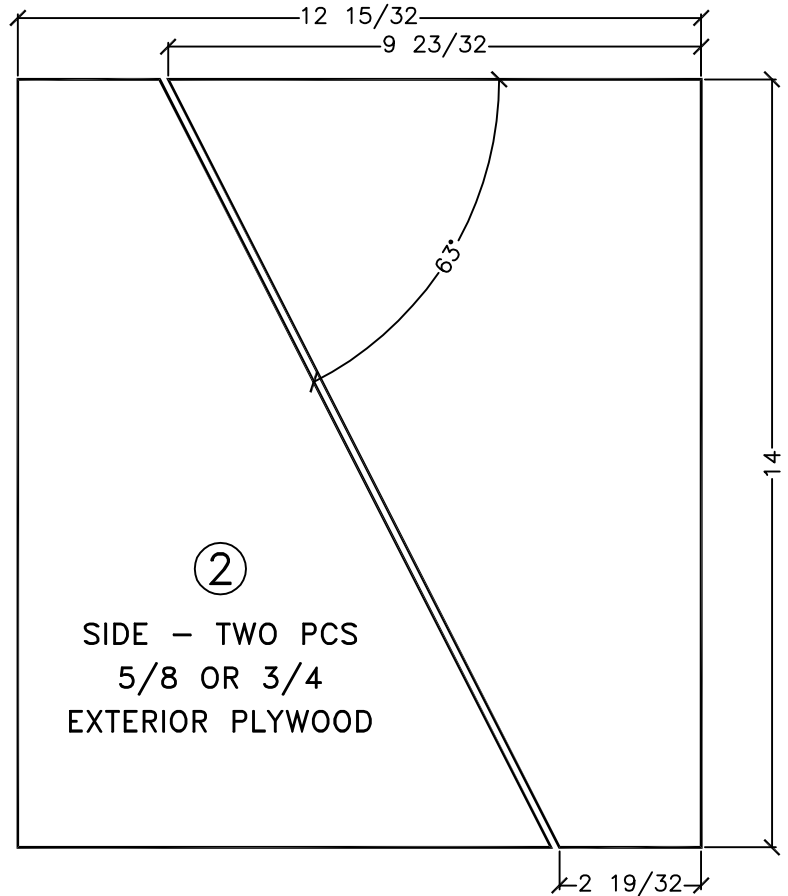
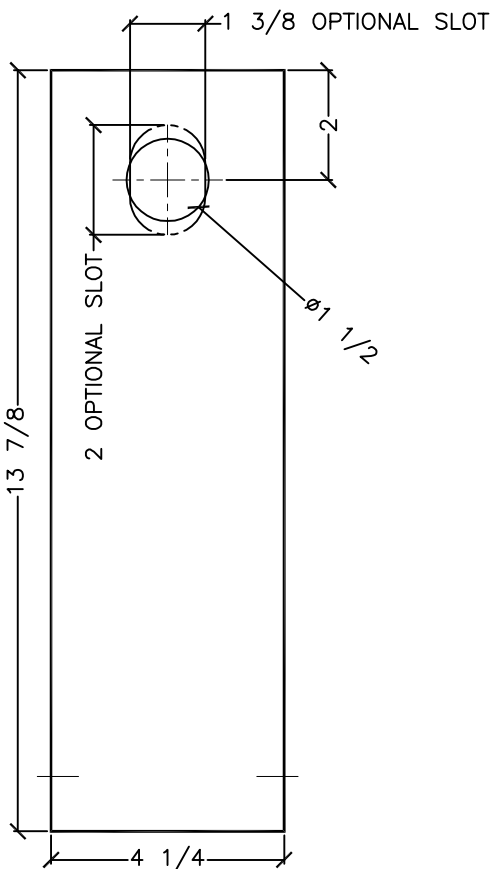
④ FLOOR

3/4 x 4-1/4 x 2-1/2

⑤

DOOR

3/4 x 4-1/4 x 13-7/8



②

SIDE - TWO PCS  
5/8 OR 3/4  
EXTERIOR PLYWOOD

Parts numbered in order of assembly

Plans provided by:  
Glanbrook Conservation Committee &  
the Ontario Eastern Bluebird Society

EASTERN BLUEBIRD NEST BOX



PETERSON TYPE

DRAWN Tom Katt	DATE 00.03.04	DRAWING NO.	REV.
CHECKED	DATE	NESTBOX	A
SCALE NTS	SHT NO. 2 OF 2		